



DURACOVER™

Residential Lineset Cover Series

Engineered for mini-split and residential air-conditioning installations, the DuraCover Lineset Cover provides a clean, durable solution to conceal, protect, and organize exposed refrigerant lines and installation components.

Manufactured from high-quality UV-resistant, fire-retardant PVC, DuraCover protects linesets and tubings from weather exposure, contamination, and long-term environmental damage. Its modular snap-fit design allows fast installation and flexible configuration for a wide range of HVAC applications.

Available in multiple sizes and colors, DuraCover delivers reliable protection, efficient installation, and a streamlined appearance for modern building environments.

Protect. Organize. Elevate the Installation.

■ Durable Material, Built for Outdoor Conditions

Made from high-quality PVC with UV-resistant and anti-oxidation additives, featuring fire-resistant performance.

Designed to withstand intense sunlight, heavy rain, and long-term exposure to oil, condensate, and contaminants generated during A/C operation—helping protect refrigerant lines and reduce long-term maintenance costs.

■ Human-Centered Structure Design

Precision-engineered snap-fit locking system allows fast assembly without complex tools—just align and click.

Zip ties can be pre-installed to help neatly organize high-pressure lines, low-pressure lines, power cables, and condensate drains in one clean channel, significantly reducing installation time and labor while improving overall installation efficiency.

■ Aesthetic Design, Paintable on Site

Minimalist, streamlined profile designed to blend seamlessly with modern architecture. Paintable in the field, allowing installers or builders to match the cover with the building facade for a clean, integrated appearance.

■ Multiple Sizes for Flexible Applications

Available in 3", 4", and 6" sizes to accommodate different air-conditioning systems and installation requirements—from mini-split units to multi-family residential unit setups.

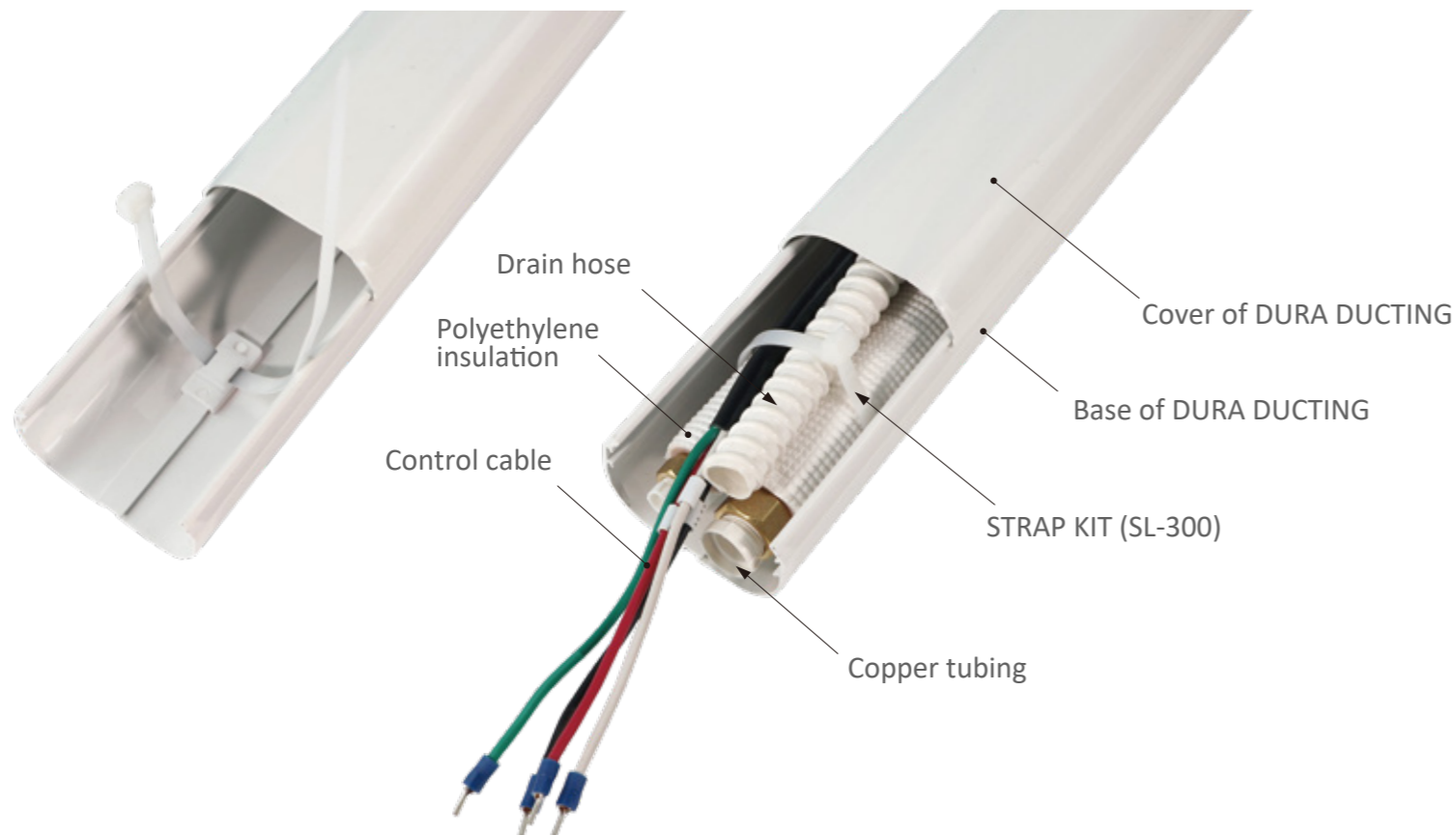
■ Color Options

Offered in white, neutral, brown, and black, making it easy to match various exterior wall colors and housing styles for a balanced, professional finish. As DuraCovers are also paintable in the field, users can customize the colors based on their designs.

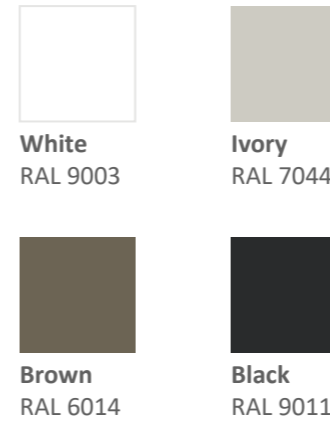
LINESET COVER

- Material: Weather resistant, UV stabilized, and Flame retardant PVC.
- Tested over 2,000 hours.
- Fixing Screw: Stainless steel
- Temperature Range: -4°F to 140°F (-20°C~60°C)
- Application: Wall mounted
- Sizes: 3"/4"/5.5"
- 3 year warranty

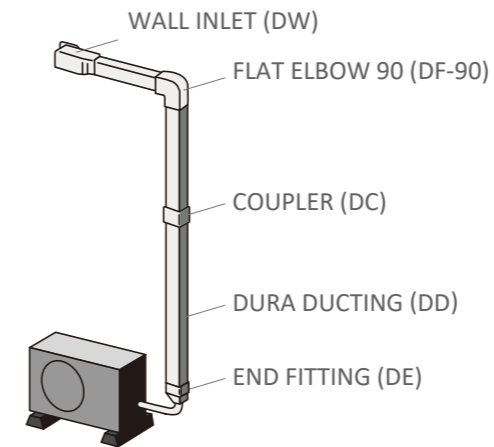
Example of piping fit-in



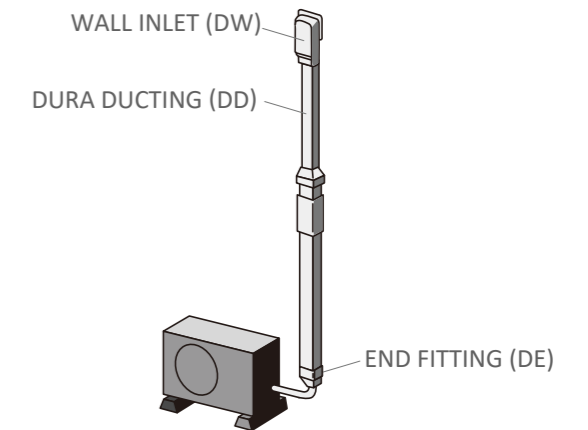
Color Options



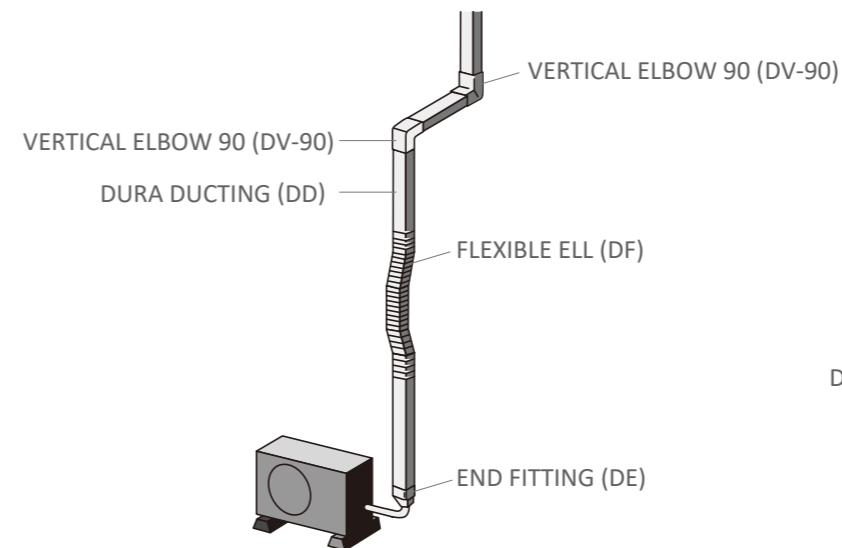
Example of applications



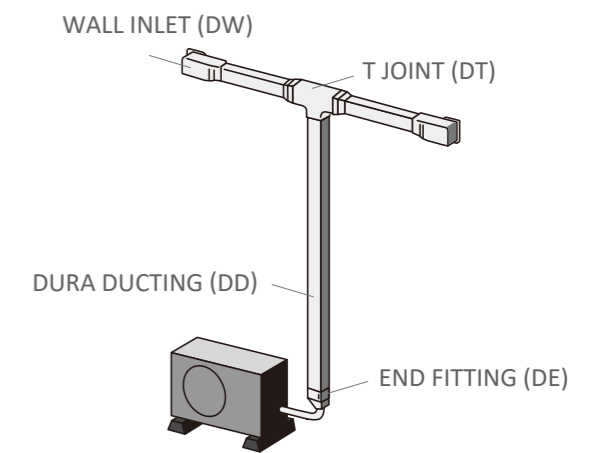
BASIC APPLICATION



VERTICAL MULTIPLE RUN APPLICATION

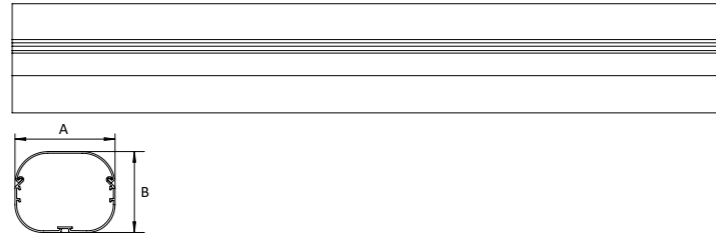


APPLICATION FOR OBSTACLES



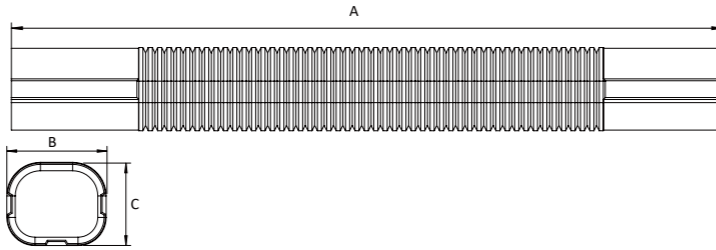
HORIZONTAL MULTIPLE RUN APPLICATION

DURA DUCTING



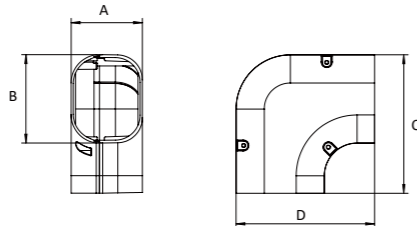
Code	Size (inch)	A (mm)	B (mm)
DD-01	3"	76	61.5
DD-02	4"	101	70

FLEXIBLE ELL



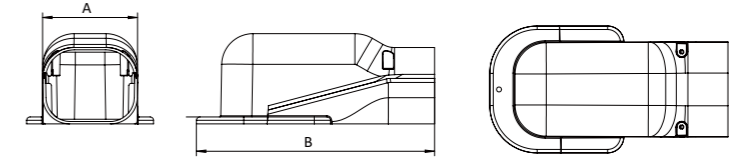
Code	Size (inch)	A (mm)	B (mm)	C (mm)
DF-01	3"	530	73	62
DF02	4"	800	100	70

FLAT ELBOW 90



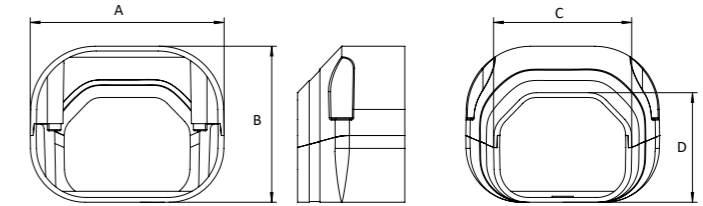
Code	Size (inch)	A (mm)	B (mm)	C (mm)	D (mm)
DF90-01	3"	65.5	81.3	127.4	127.4
DF90-02	4"	74.1	106.9	151	151

WALL INLET



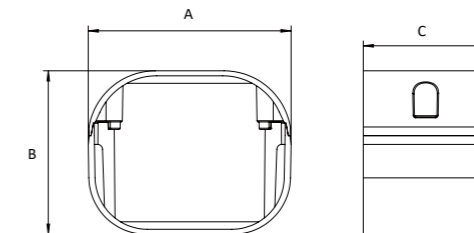
Code	Size (inch)	A (mm)	B (mm)
DW-01	3"	82.2	206
DW-02	4"	101.1	223

END FITTING



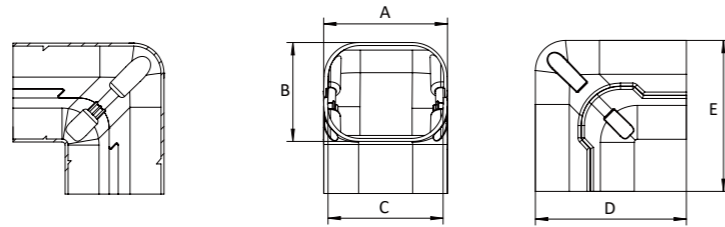
Code	Size (inch)	A (mm)	B (mm)	C (mm)	D (mm)
DE-01	3"	81.4	65.5	58	46
DE-02	4"	106.9	74.1	53.2	32

COUPLER



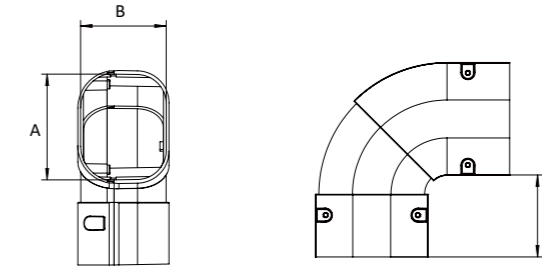
Code	Size (inch)	A (mm)	B (mm)	C (mm)
DC-01	3"	81.3	65.5	50
DC-02	4"	106.9	70.1	66

VERTICAL ELBOW 90



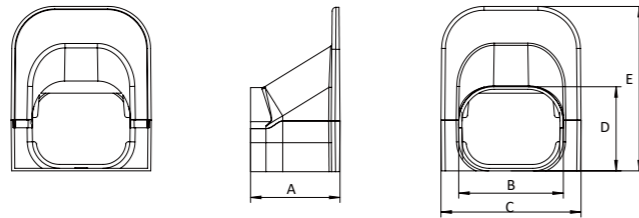
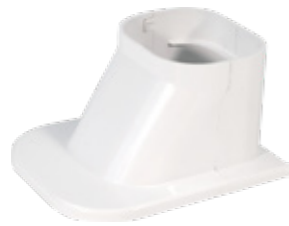
Code	Size (inch)	A (mm)	B (mm)	C (mm)	D (mm)	E (mm)
DV90-01	3"	82	65.5	76.2	100	100
DV90-02	4"	101.1	74.1	107	117	117

ADJUSTABLE FLAT ELBOW 45-90



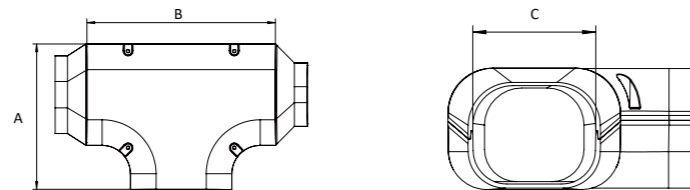
Code	Size (inch)	A (mm)	B (mm)	C (mm)
DA-01	3"	76	61.5	58.5
DA-02	4"	107	75	58.5

SOFFIT INLET



Code	Size (inch)	A (mm)	B (mm)	C (mm)	D (mm)	E (mm)
DS-01	3"	69.6	81.4	109	65.5	128
DS-02	4"	69.6	101.1	107	74.1	136.5

T JOINT



Code	Size (inch)	A (mm)	B (mm)	C (mm)
DT-1	3"	124	165	76
DT-2	4"	153.4	199	76.2